

# Data Plug

**MULTICAL data can be read from outside the premises using a MULTITERM hand-held terminal.**

**The data plug is protected with a cover.**

**Simple installation**

**Supplied with 2-25m 3-wire cable.  
The cable can be shortened as required.**



## Application

If a data plug is fitted on one of the outer walls of the consumer's premises, it is possible for the authorities to read data from MULTICAL energy meters using MULTITERM handheld terminal. The data plug can be fitted easily and discreetly. The protective covering ensures that the plug is not affected by adverse weather conditions.

The data plug has a three-wire cable which is connected to the data output on the MULTICAL heat meter. The cable can be supplied in 2, 5, 10 or 25 meter lengths. The cable can be shortened to an appropriate length.

Remove the protective cover when reading data. Both normal and monthly data can read once the MULTITERM jack plug is plugged in.

The protective cover must be replaced when data reading is completed.



Kamstrup A/S  
Industrivej 28, Stilling  
DK-8660 Skanderborg  
TEL: +45 89 93 10 00  
FAX: +45 89 93 10 01

## Technical data

### HOUSING

Material: ASA grey  
 Temperature range: -30°C to +50°C

### TEMPERATURE RANGE

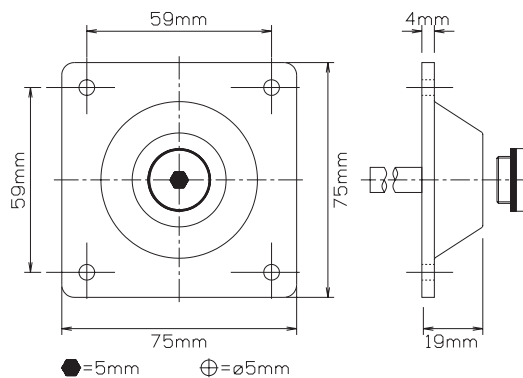
Non-flexible fitting: -30°C to +80°C  
 Flexible fitting: -5°C to +80°C

### CABLE

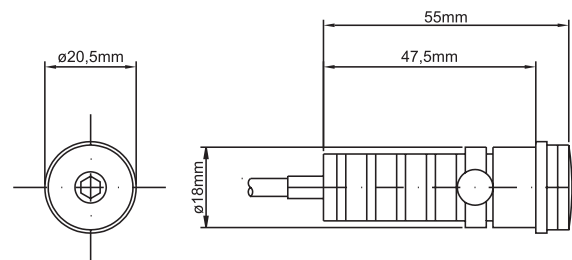
Type: LIYY, 3 x 0,25m<sup>2</sup>

## Dimensional Drawing

### FLAT DATA PLUG



### CYLINDRICAL DATA PLUG



## Order specification

Two types of dataplugs are available; a standard flat plug and a cylindrical plug, for use in concealed installation.

### FLAT DATA PLUG

Type No. 65-61-891	2 m
Type No. 65-61-892	5 m
Type No. 65-61-893	10 m
Type No. 65-61-894	25 m

### CYLINDRICAL DATA PLUG

Type No. 65-61-890	2 m
Type No. 65-61-899	5 m
Type No. 65-61-896	10 m
Type No. 65-61-897	20 m
Type No. 65-61-898	30 m